

KANSAI SPECIAL

A-1101S

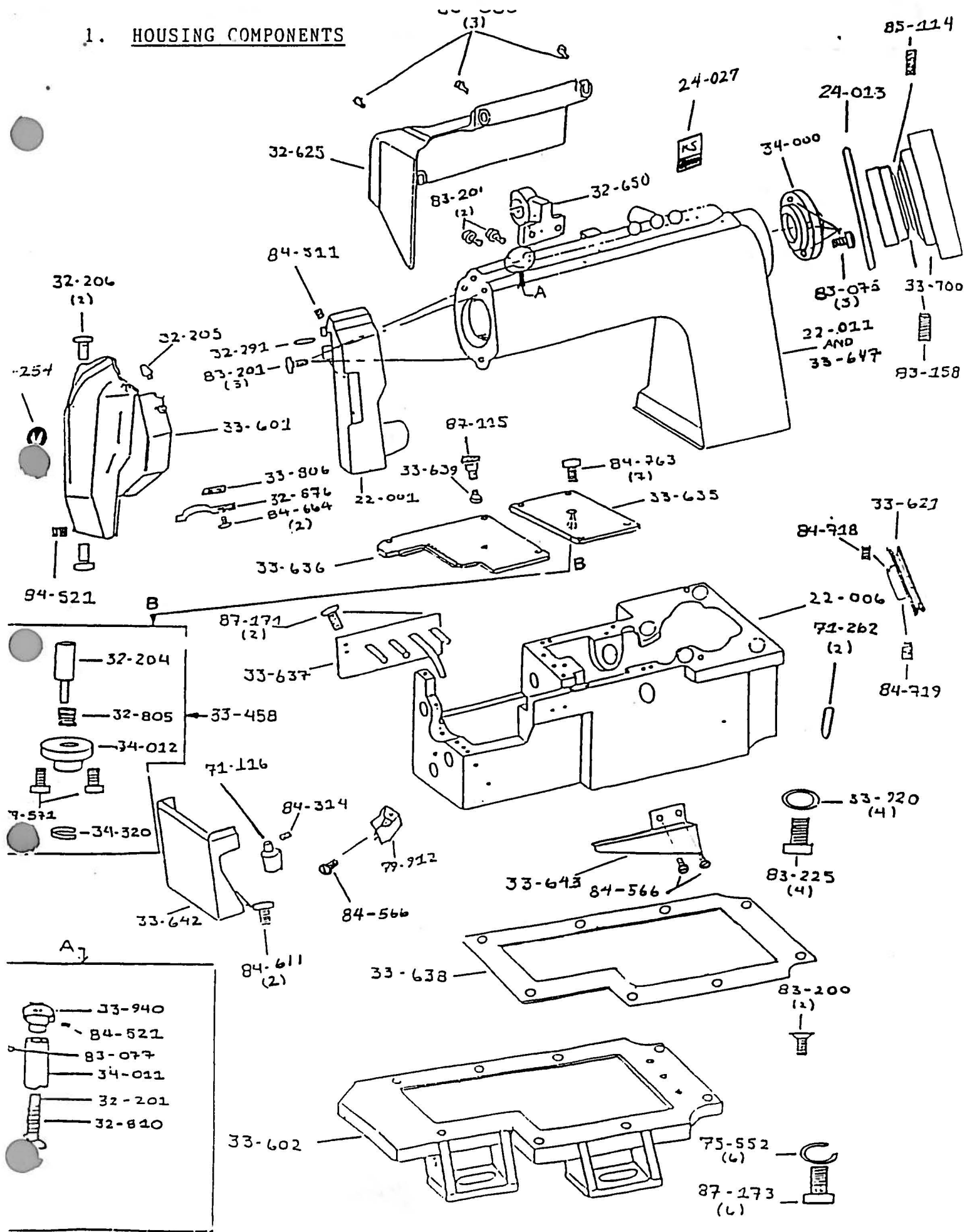
PARTS BOOK AND LISTING

## GLOSSARY

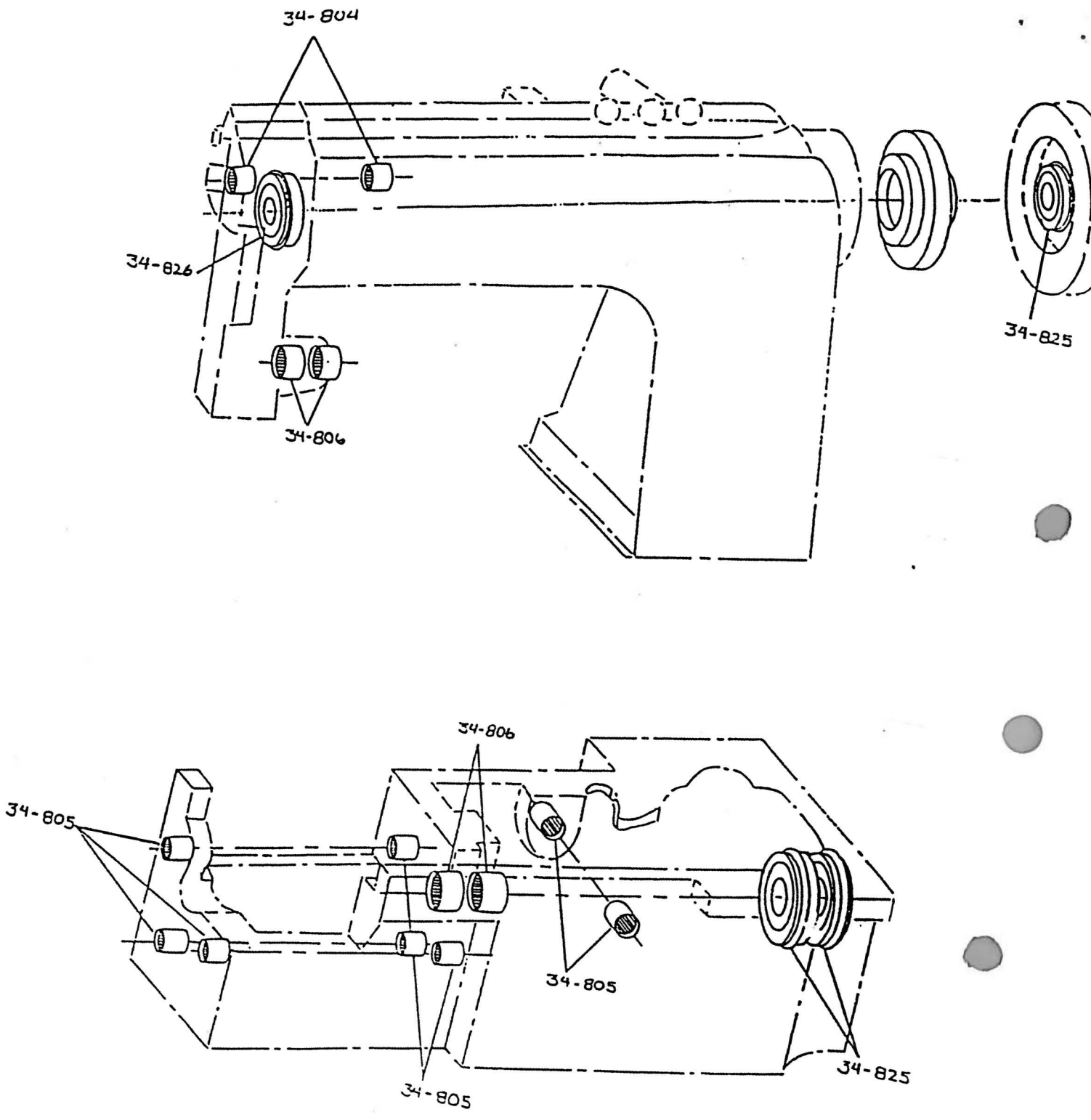
1. HOUSING COMPONENTS
2. BEARINGS
3. THREAD EYELET COMPONENTS
4. UPPER AND LOWER SHAFTS AND MAIN DRIVE COMPONENTS
5. ECCENTRIC COMPONENTS FOR THE UPPER AND LOWER MAIN SHAFTS
6. LOWER FEED COMPONENTS
7. LOOPER AND LOOPER DRIVING COMPONENTS
8. SPREADER AND SPREADER DRIVING COMPONENTS
9. NEEDLE DRIVE AND TOP FEED COMPONENTS
10. FOOT LIFTER COMPONENTS
11. PRESSURE ASSIST CYLINDER COMPONENTS
12. GAUGE COMPONENTS

APPENDIX: NUMERICAL LISTING OF PARTS

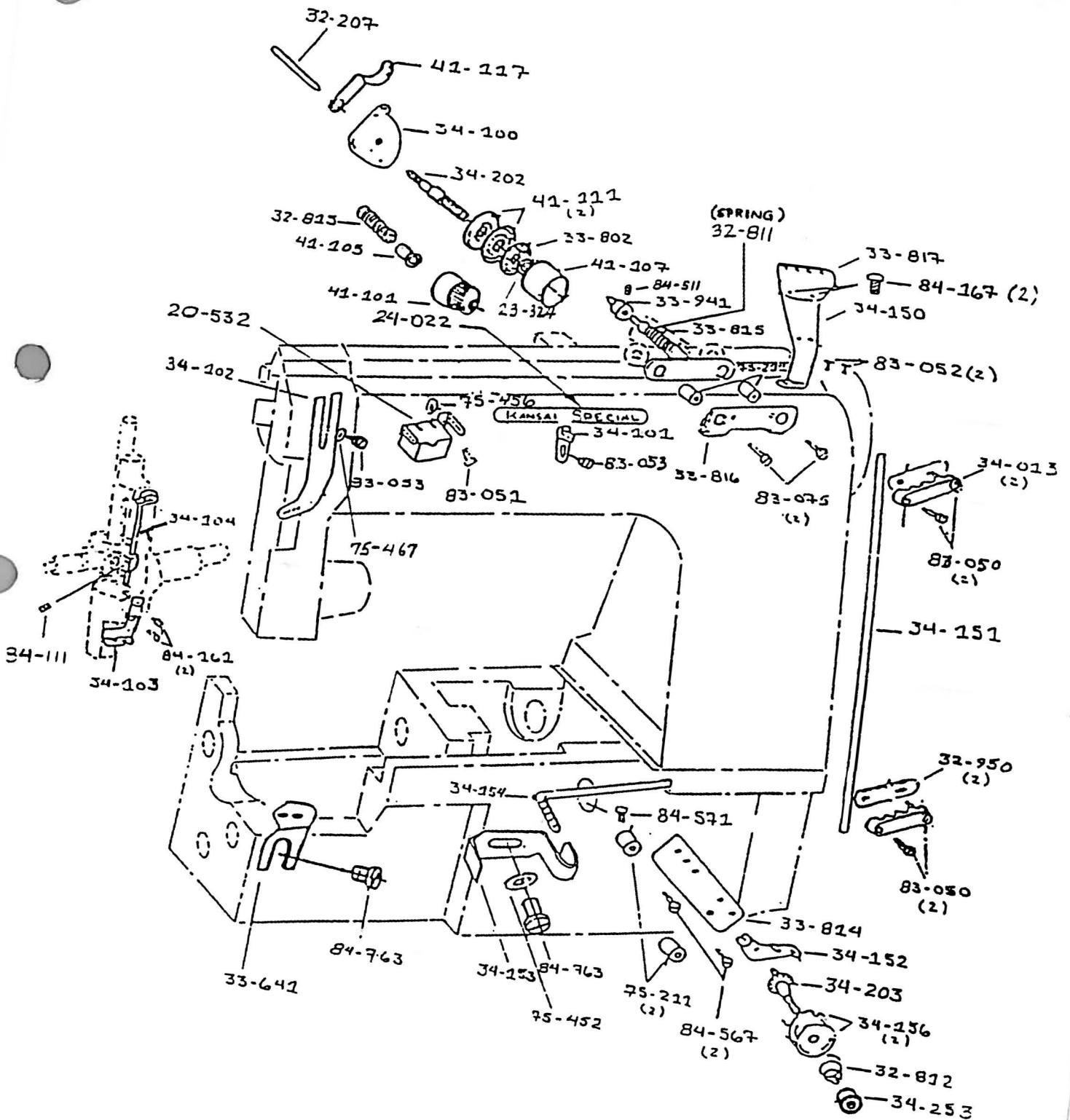
# 1. HOUSING COMPONENTS



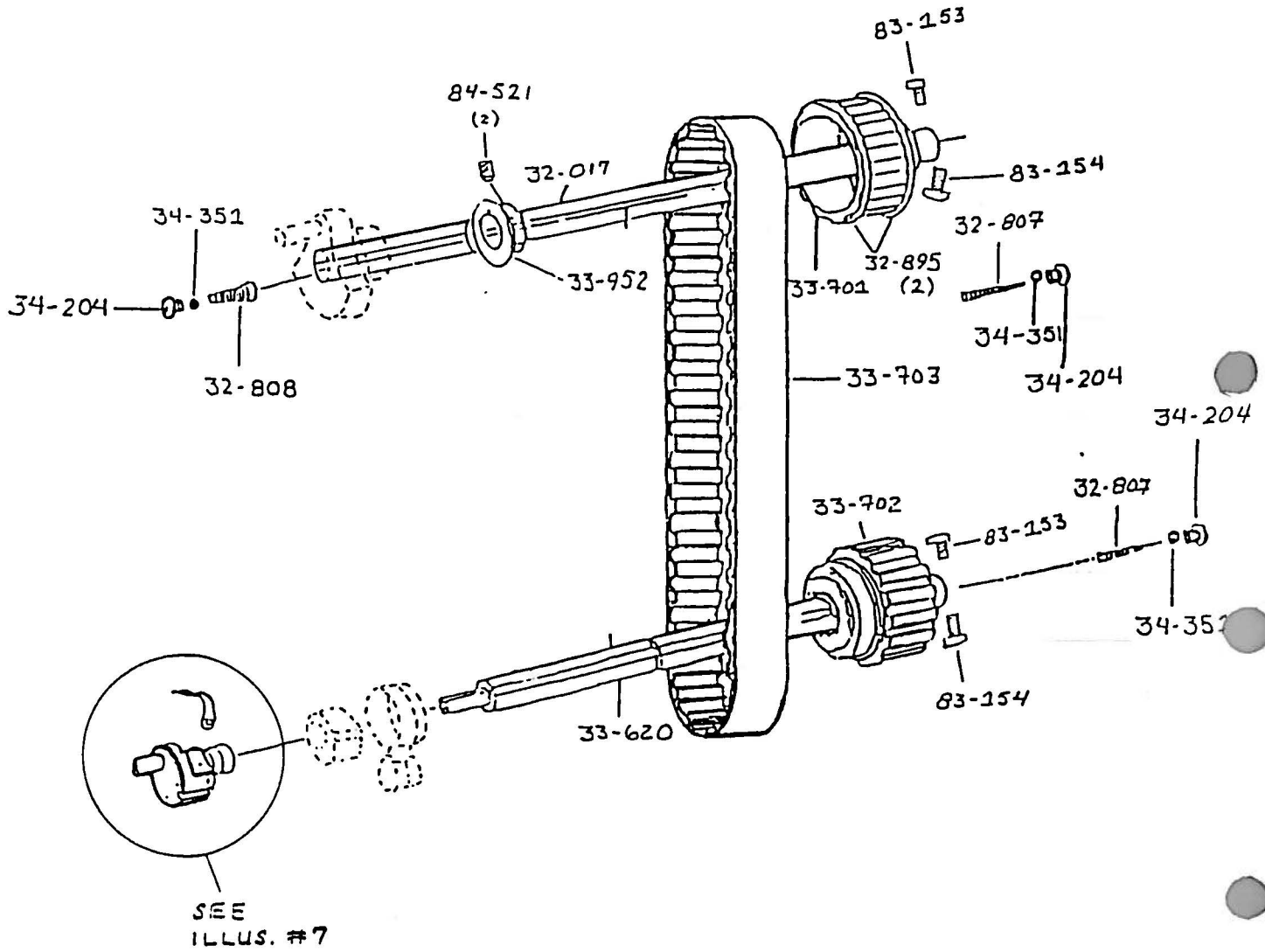
BEARINGS



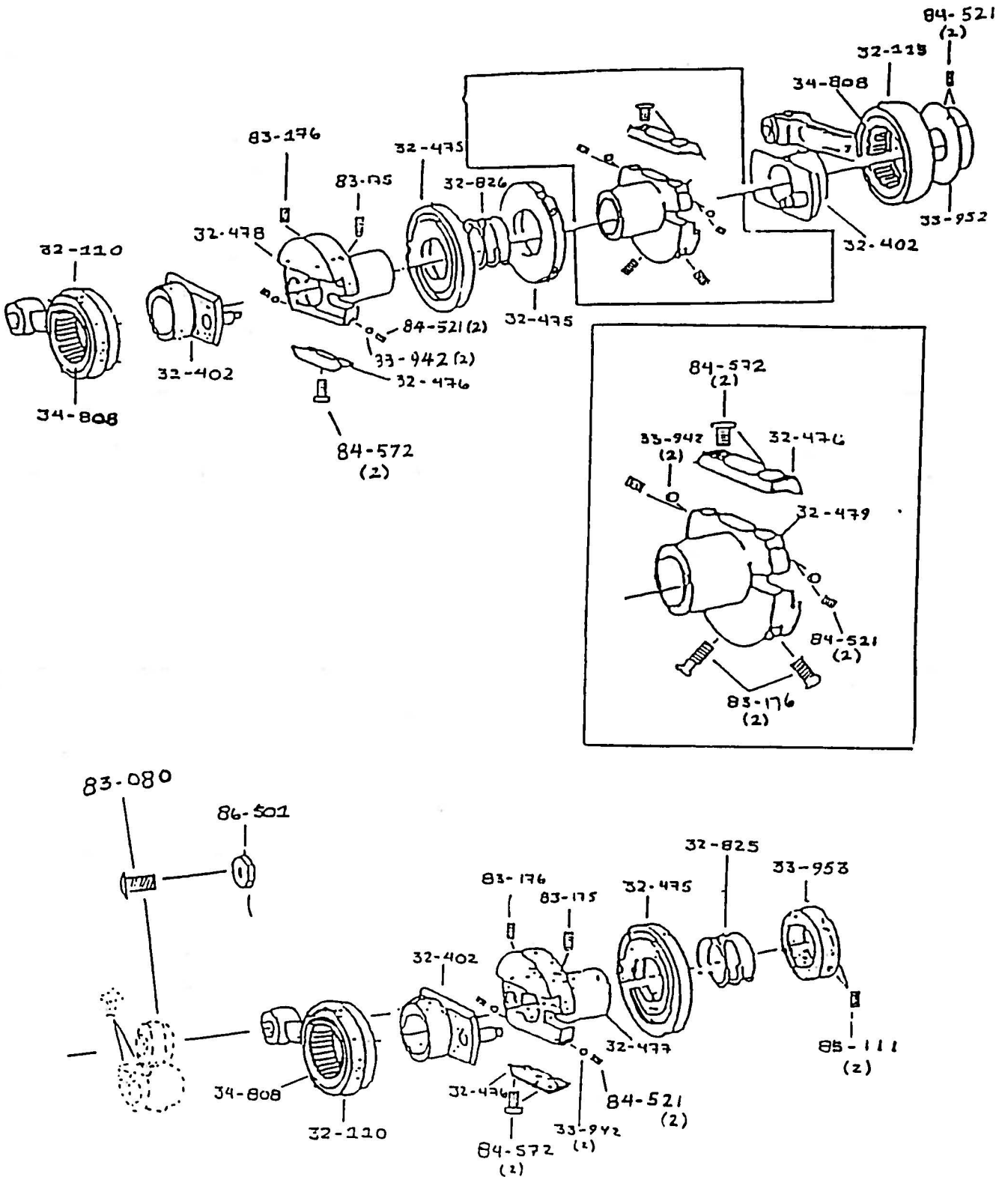
### 3. THREAD EYELET COMPONENTS



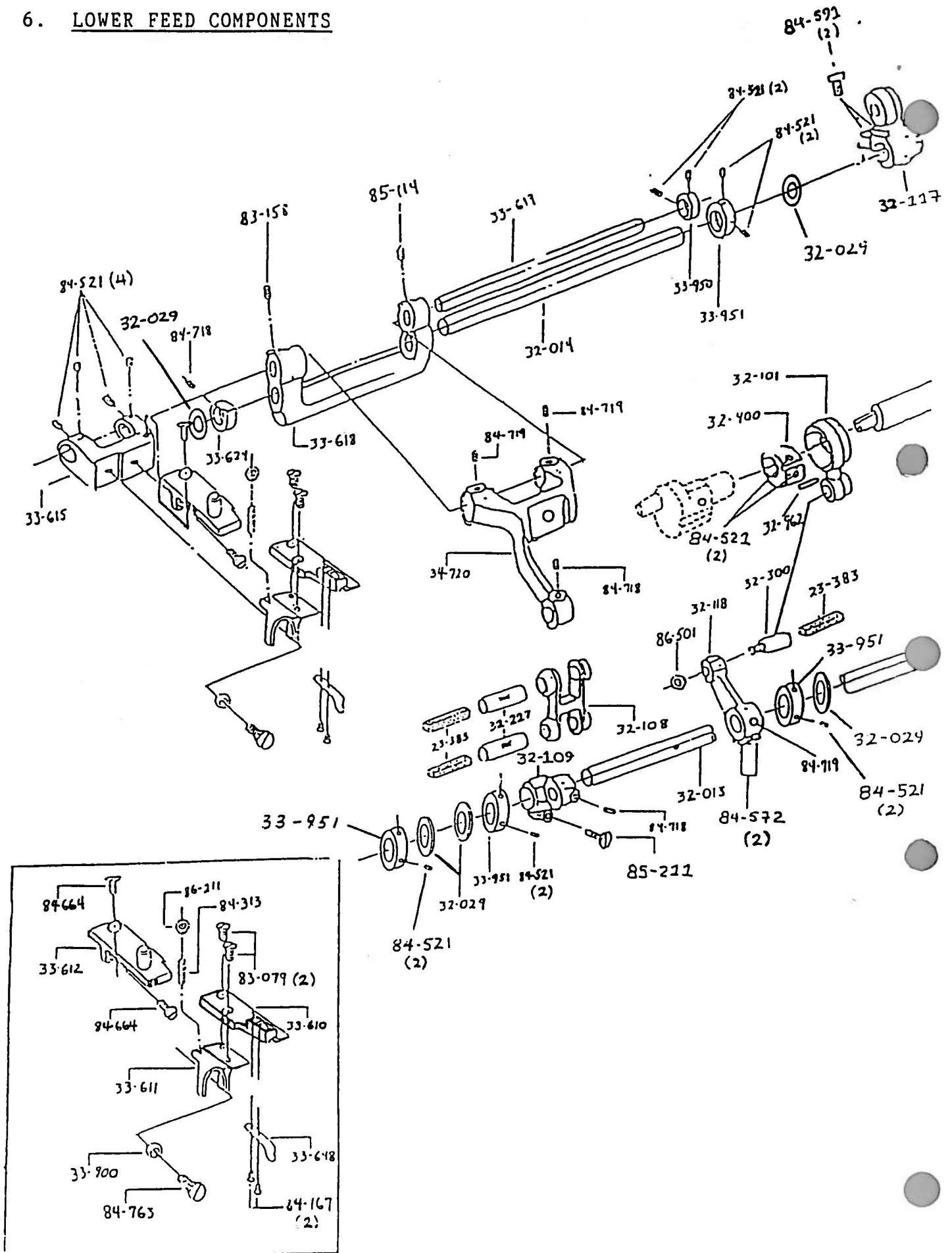
4. UPPER AND LOWER SHAFTS AND MAIN DRIVE COMPONENTS



5. ECCENTRIC COMPONENTS FOR THE UPPER AND LOWER MAIN SHAFTS

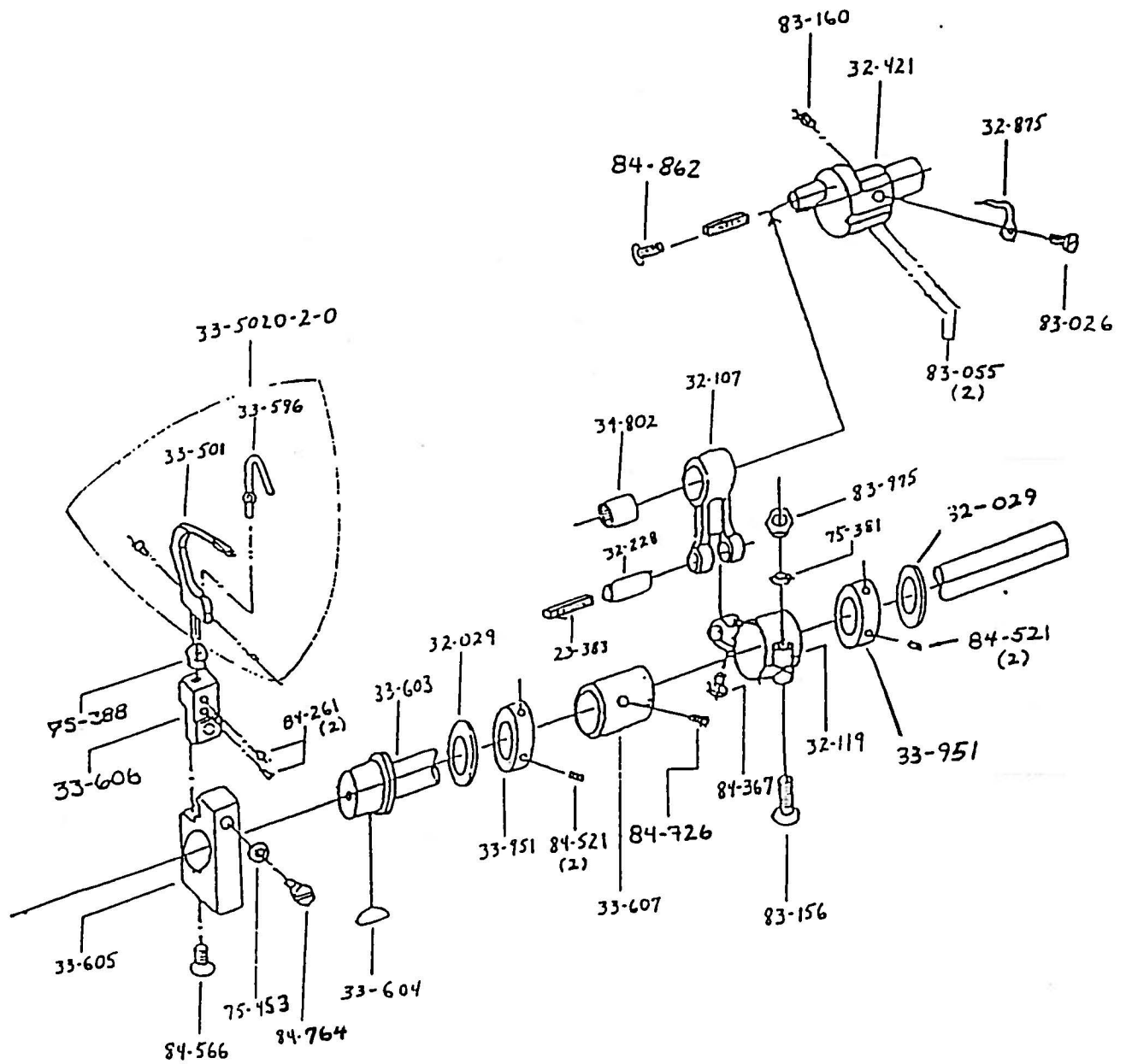


6. LOWER FEED COMPONENTS

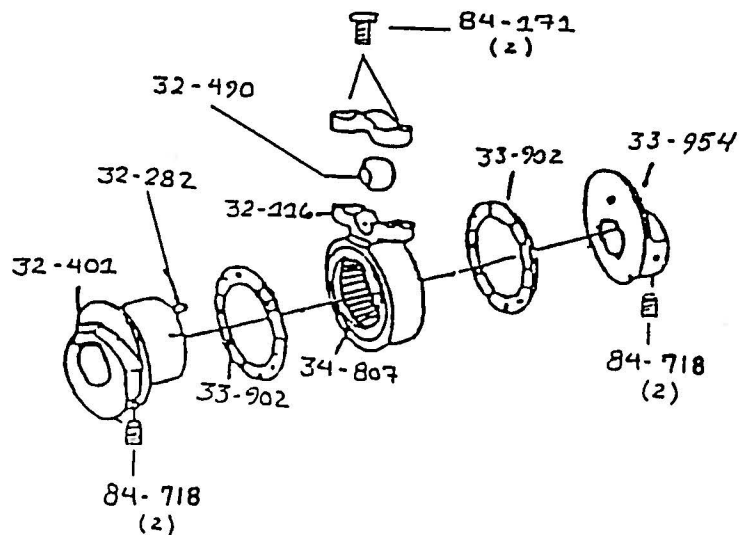
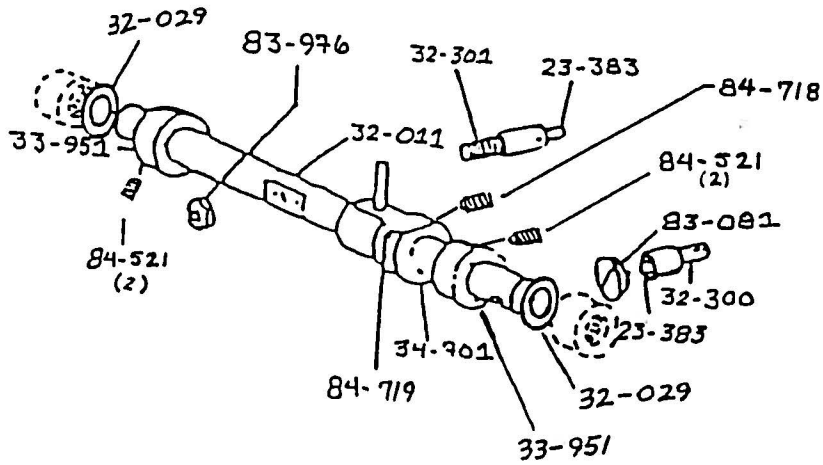
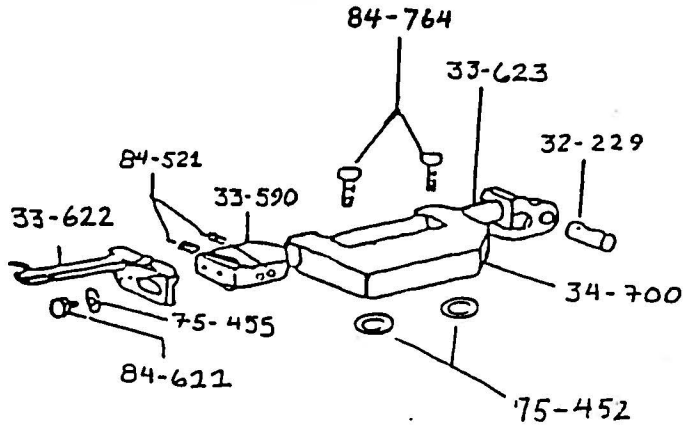




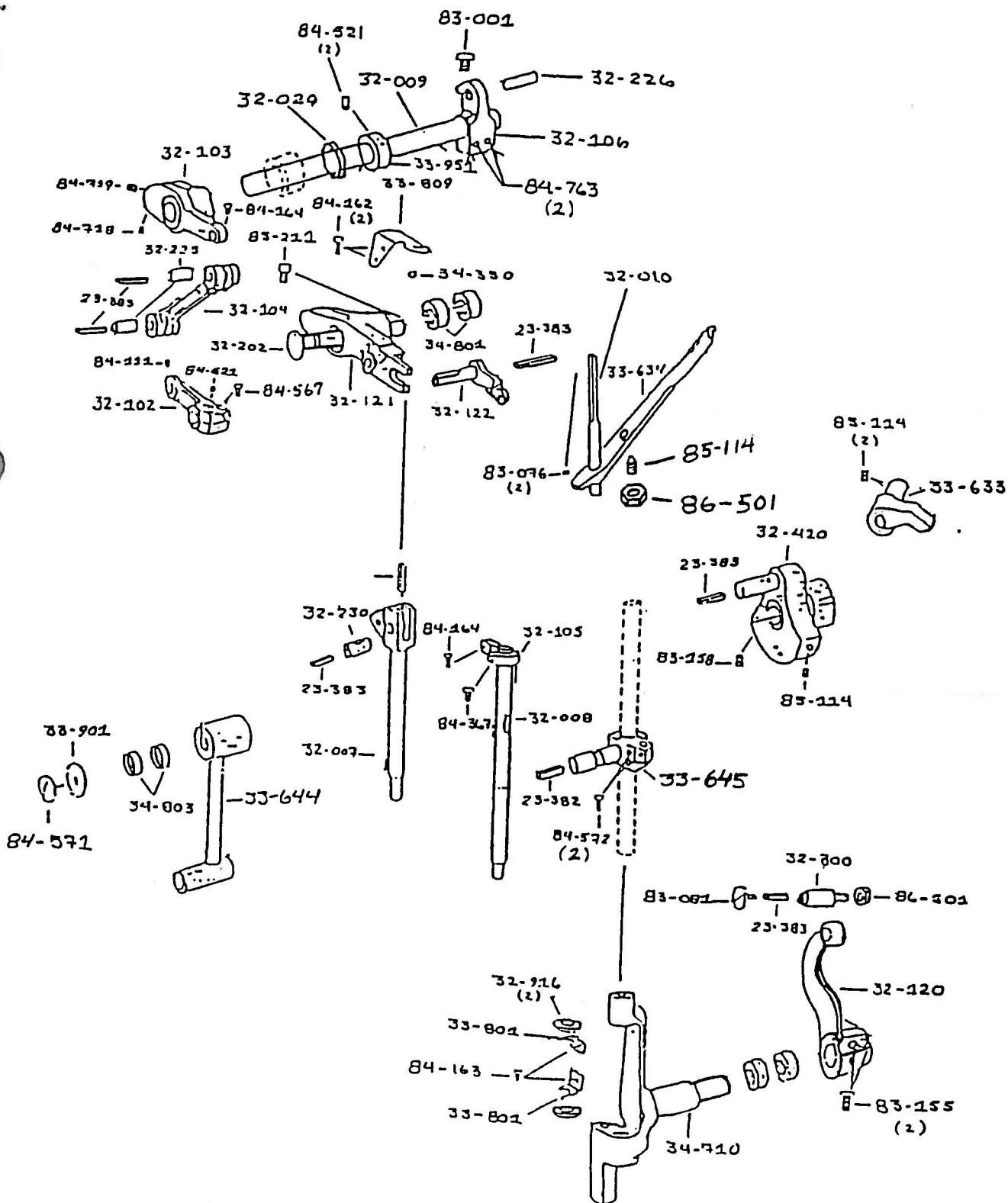
7. LOOPER AND LOOPER DRIVING COMPONENTS



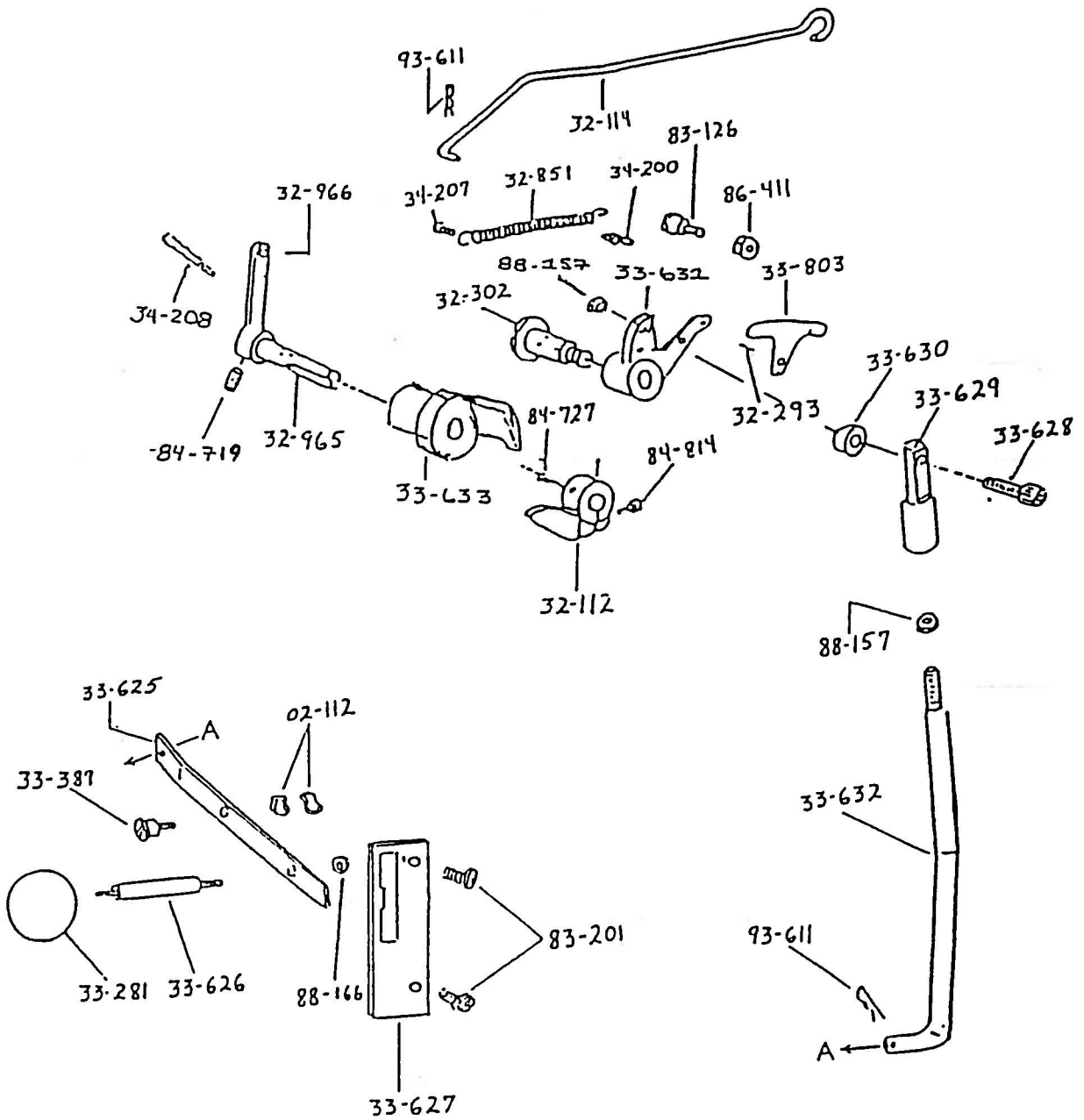
8. SPREADER AND SPREADER DRIVING COMPONENTS



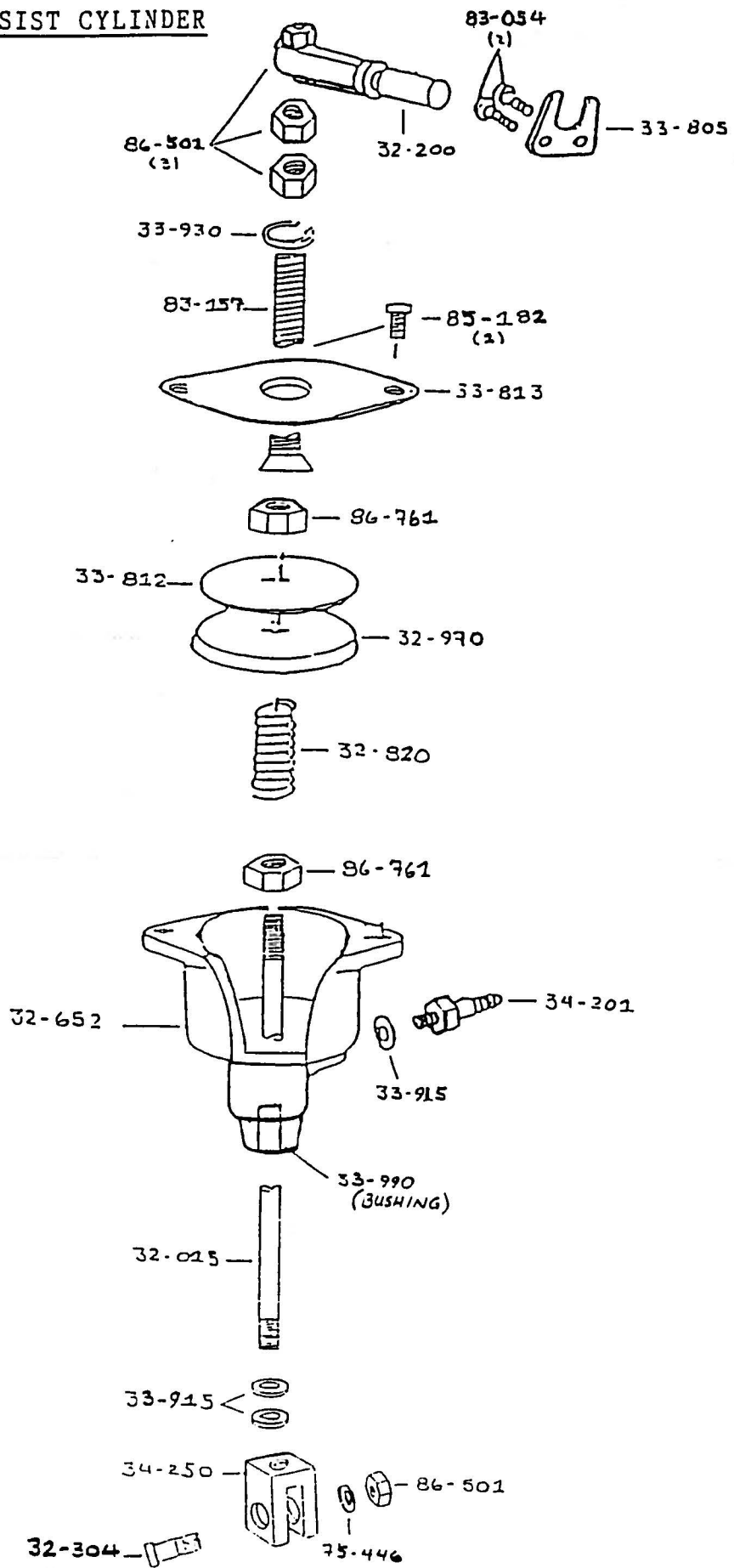
9. NEEDLE DRIVE AND TOP FEED COMPONENTS



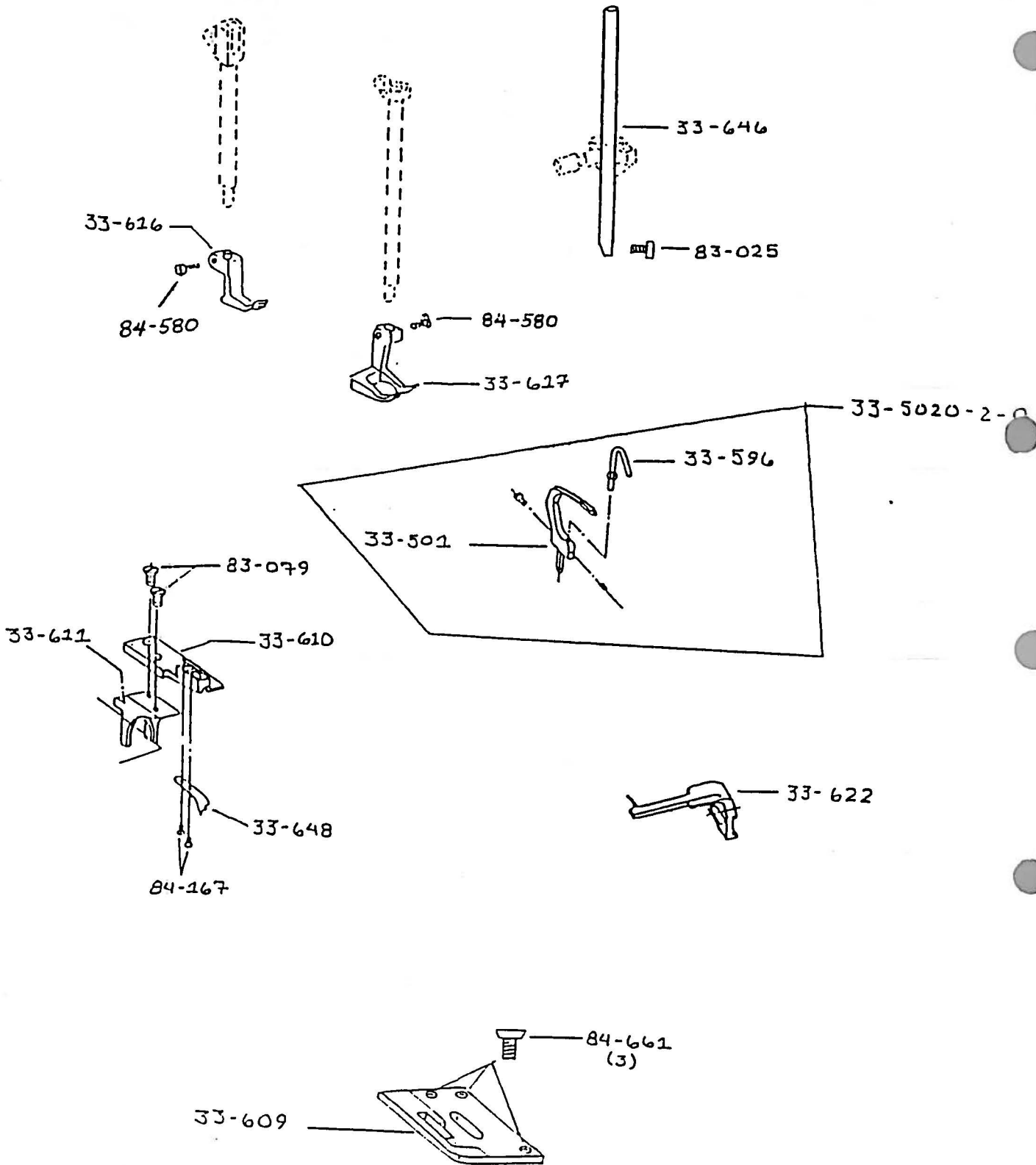
10. FOOT LIFTER COMPONENTS



11. PRESSURE ASSIST CYLINDER



12. GAUGE COMPONENTS





# Mansai Special U.S.A. Corp.

Industrial Sewing Machines Designed With Your Needs In Mind

640 Gotham Parkway  
Carlstadt, New Jersey 07072  
(201) 460-0350 / Telex 219449 (KSFC UR)  
(800) 222-0872  
FAX (201) 460-1633

A-1101S

## COMPLETE PARTS LISTING

PART NUMBER      QUANTITY

02-112.....	2	_____
20-532.....	1	_____
22-001.....	1	_____
22-006.....	1	_____
22-011.....	1	_____
23-382.....	1	_____
23-383.....	13	_____
24-022.....	1	_____
24-013.....	1	_____
32-017.....	1	_____
32-007.....	1	_____
32-008.....	1	_____
32-009.....	1	_____
32-010.....	1	_____
32-011.....	1	_____
32-013.....	1	_____
32-014.....	1	_____
32-015.....	1	_____
32-029.....	10	_____
32-101.....	1	_____
32-102.....	1	_____
32-103.....	1	_____
32-104.....	1	_____
32-105.....	1	_____
32-106.....	1	_____
32-107.....	1	_____
32-108.....	1	_____
32-109.....	1	_____
32-110.....	2	_____
32-112.....	1	_____
32-114.....	1	_____
32-115.....	1	_____
32-116.....	1	_____
32-117.....	1	_____
32-118.....	1	_____
32-119.....	1	_____
32-120.....	1	_____
32-121.....	1	_____
32-122.....	1	_____
32-200.....	1	_____
32-201.....	1	_____
32-202.....	1	_____
32-204.....	1	_____

PART NUMBER      QUANTITY

32-205.....	1	_____
32-206.....	2	_____
32-207.....	1	_____
32-225.....	2	_____
32-226.....	1	_____
32-227.....	2	_____
32-228.....	1	_____
32-229.....	1	_____
32-230.....	1	_____
32-282.....	1	_____
32-291.....	1	_____
32-293.....	1	_____
32-300.....	3	_____
32-301.....	1	_____
32-302.....	1	_____
32-304.....	1	_____
32-400.....	1	_____
32-401.....	1	_____
32-402.....	3	_____
32-420.....	1	_____
32-421.....	1	_____
32-475.....	3	_____
32-476.....	3	_____
32-477.....	1	_____
32-478.....	1	_____
32-479.....	1	_____
32-490.....	1	_____
32-625.....	1	_____
32-650.....	1	_____
32-652.....	1	_____
32-805.....	1	_____
32-807.....	2	_____
32-808.....	1	_____
32-810.....	1	_____
32-812.....	1	_____
32-815.....	1	_____
32-820.....	1	_____
32-825.....	1	_____
32-826.....	1	_____
32-851.....	1	_____
32-875.....	1	_____
32-876.....	1	_____
32-895.....	2	_____
24-027.....	1	_____
24-254.....	1	_____
23-324.....	1	_____
32-811.....	1	_____

Industrial Sewing Machines







<u>PART #</u>	<u>QTY.</u>	
34-153	.... 1	_____
34-154	.... 1	_____
34-156	.... 2	_____
34-806	.... 4	_____
34-201	.... 1	_____
34-202	.... 1	_____
34-203	.... 1	_____
34-204	.... 3	_____
34-207	.... 1	_____
34-208	.... 1	_____
34-250	.... 1	_____
34-253	.... 1	_____
34-320	.... 1	_____
34-350	.... 1	_____
34-351	.... 3	_____
34-700	.... 1	_____
34-701	.... 1	_____
34-710	.... 1	_____
34-720	.... 1	_____
34-801	.... 2	_____
34-802	.... 1	_____
34-803	.... 2	_____
34-804	.... 2	_____
34-805	.... 8	_____
34-807	.... 1	_____
34-808	.... 3	_____
34-826	.... 1	_____
41-101	.... 1	_____
41-105	.... 1	_____
41-107	.... 1	_____
41-111	.... 2	_____
41-117	.... 1	_____
34-825	.... 3	_____

<u>PART #</u>	<u>QTY.</u>	
71-116	.... 1	_____
71-262	.... 2	_____
71-956	.... 1	_____
75-211	.... 4	_____
75-381	.... 1	_____
75-388	.... 1	_____
75-446	.... 1	_____
75-452	.... 3	_____
75-455	.... 1	_____
75-456	.... 1	_____
75-453	.... 1	_____
79-912	.... 1	_____
83-001	.... 1	_____
83-025	.... 1	_____
83-026	.... 1	_____
83-050	.... 7	_____
83-051	.... 1	_____
83-052	.... 2	_____
83-053	.... 2	_____
83-054	.... 2	_____
83-055	.... 2	_____
83-075	.... 5	_____
83-076	.... 2	_____
83-077	.... 1	_____
83-079	.... 2	_____
83-081	.... 2	_____
83-080	.... 1	_____
75-467	.... 1	_____
83-126	.... 1	_____
83-153	.... 2	_____
83-154	.... 2	_____

<u>PART #</u>	<u>QTY.</u>	_____
83-155	.... 2	_____
83-156	.... 1	_____
83-157	.... 1	_____
83-158	.... 3	_____
83-160	.... 1	_____
83-175	.... 3	_____
83-176	.... 3	_____
83-200	.... 2	_____
83-201	.... 7	_____
83-225	.... 4	_____
83-975	.... 1	_____
83-976	.... 1	_____
84-111	.... 2	_____
84-161	.... 2	_____
84-162	.... 2	_____
84-163	.... 2	_____
84-164	.... 2	_____
84-167	.... 4	_____
84-171	.... 2	_____
84-261	.... 2	_____
84-313	.... 1	_____
84-314	.... 1	_____
84-367	.... 2	_____
84-511	.... 2	_____
84-580	.... 2	_____
84-521	.... 41	_____
84-566	.... 4	_____
84-567	.... 3	_____
84-571	.... 5	_____
84-572	.... 10	_____
84-591	.... 2	_____

<u>PART #</u>	<u>QTY.</u>	_____
84-611	.... 2	_____
84-661	.... 3	_____
84-664	.... 4	_____
84-726	.... 1	_____
84-718	.... 10	_____
84-719	.... 7	_____
84-727	.... 1	_____
84-763	.... 12	_____
84-764	.... 3	_____
84-814	.... 1	_____
84-862	.... 1	_____
85-111	.... 2	_____
85-114	.... 6	_____
85-182	.... 2	_____
85-211	.... 2	_____
86-211	.... 1	_____
86-411	.... 1	_____
86-501	.... 8	_____
86-761	.... 2	_____
87-115	.... 1	_____
87-171	.... 2	_____
87-173	.... 6	_____
88-157	.... 2	_____
88-166	.... 1	_____
93-611	.... 2	_____
75-552	.... 6	_____